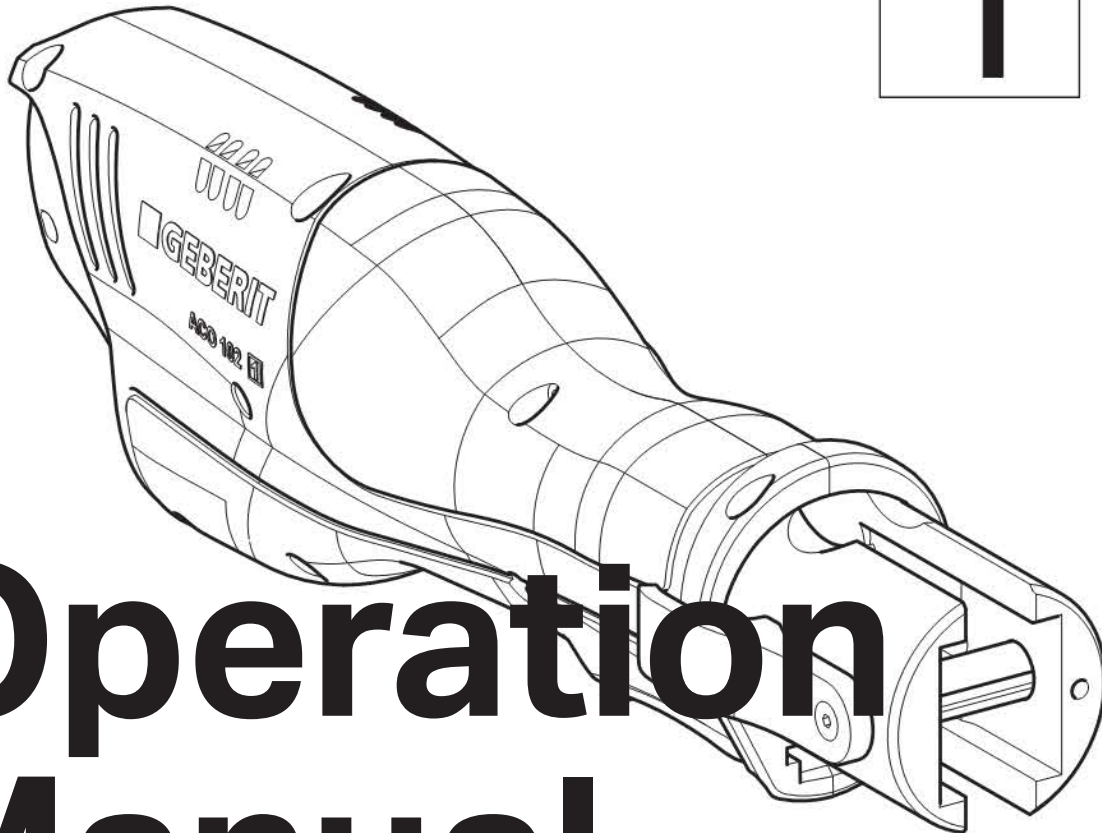


1

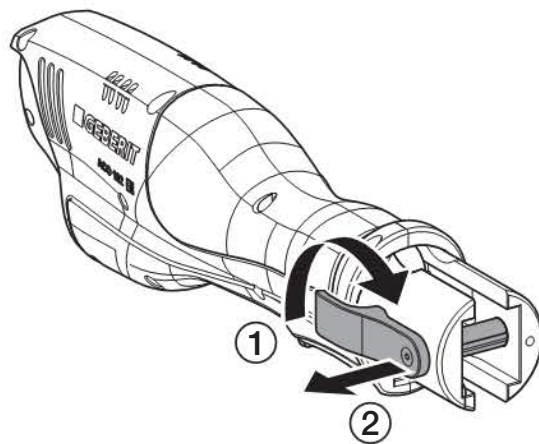


# Operation Manual

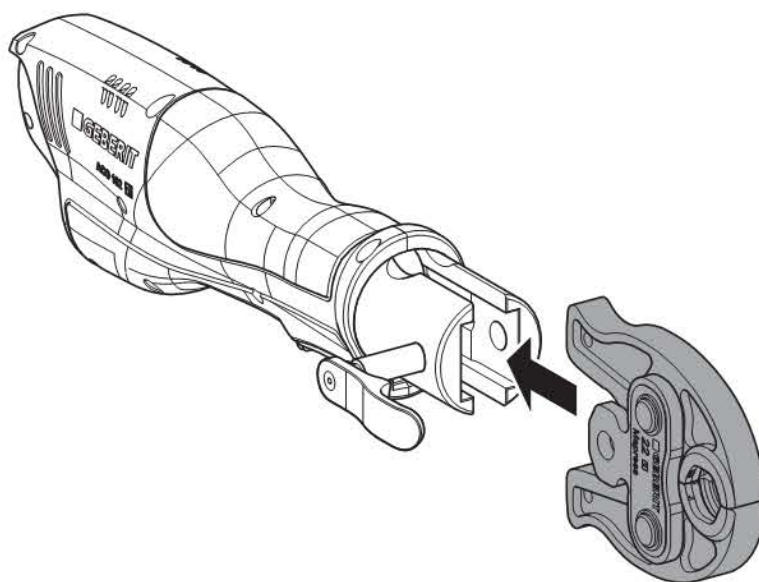
Betriebsanleitung  
Manuel d'utilisation  
Istruzioni di funzionamento

**KNOW  
HOW  
INSTALLED**

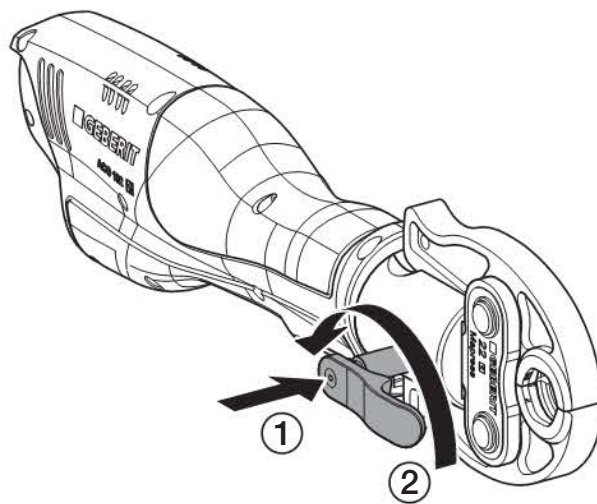
A



B



C



## Translation of the original operating instructions

# Safety


---

### Target group

This tool may only be used by skilled persons in accordance with EN IEC 82079-1:2012.

### Intended use

The Geberit pressing tool ACO 102 is only allowed to be used for pressing pipes and pressfittings of the Geberit Mepla and Geberit Mapress pressing systems.

Only Geberit pressing jaws with the compatibility mark  may be used with the ACO 102 pressing tool. The relevant overviews regarding compatibility and the maximum pressing areas can be found in the country-specific product range catalogues.

The Geberit pressing tool is not suitable for continuous operation. After 30 minutes of continuous operation, a break of at least 15 minutes must be taken to allow the pressing tool to cool.

Any other use or a use extending beyond the intended application is deemed to be improper. Geberit will not accept any liability for any resulting damage.

### Basic safety notes

**WARNING: Risk of injury caused by flying fragments if used incorrectly or if worn or damaged pressing attachments are used**

- Only use the pressing attachments (pressing jaws, pressing collars, adapter jaws) if they are in perfect working order
- Examine the pressing attachments regularly before and after each use for defects, particularly for incipient cracks in the pressing contour and the retaining bracket, and also for other damage. If there are cracks in the material, take the entire pressing attachment out of service immediately and do not use it again
- Do not use a pressing attachment again after it has been used incorrectly or in a way that does not comply with its intended use. Instead, hand it over to an authorised repair shop for testing
- Adhere strictly to maintenance regulations and maintenance intervals for the pressing tool and pressing attachments
- Wear suitable protective equipment (protective goggles etc.)
- Only have repair work carried out by Geberit or an authorised repair shop
- Follow the country-specific safety regulations
- Read through and note all safety notes and instructions relating to the pressing tool and pressing attachments before commissioning. Failure to observe the safety notes and instructions can lead to electric shock, fire and/or serious injuries. Store all safety notes and instructions for the future

**NOTE**

Pressing attachments (pressing jaws, pressing collars, adapter jaws) are wearing parts. Frequent pressing will cause the material to become worn; advanced stages of wear will be indicated by incipient cracks. Pressing attachments that display this kind of wear or are damaged in any other way may break, particularly if they are used incorrectly (e.g. pressing a fitting that is too large, tilting, foreign bodies on the fitting) or in a way that does not comply with their intended use.

**Explanation of symbols**

Tabelle 1: Symbols in the instructions








Symbol	Meaning
<b>WARNING</b> 	Refers to a potentially dangerous situation that may cause serious injury or death
<b>CAUTION</b> 	Refers to a potentially dangerous situation that may cause slight or moderate injury or material damage
	Refers to important information

Tabelle 2: Symbols on the product

Symbol	Meaning
	Refers to a potentially dangerous situation caused by flying fragments that may cause serious injury or death
	Read the safety notes and operating instructions before commissioning the device
	Operation of the retaining pin
	Service sticker: Indicates the time of the next mandatory maintenance

# Product description

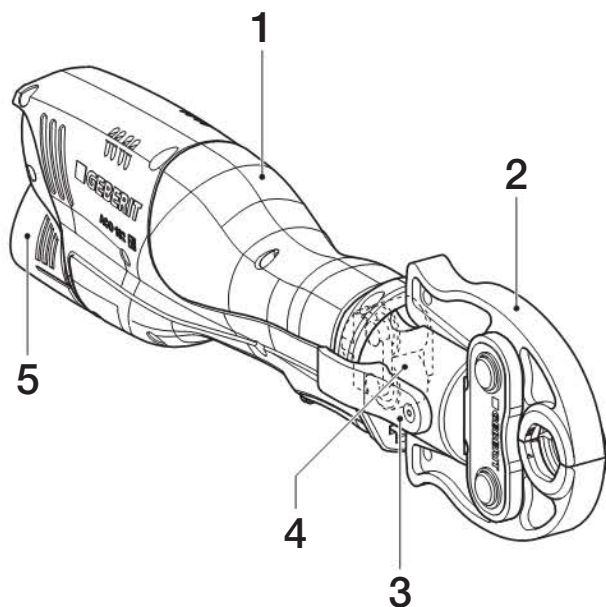
---

## Structure

The Geberit pressing tool consists of:

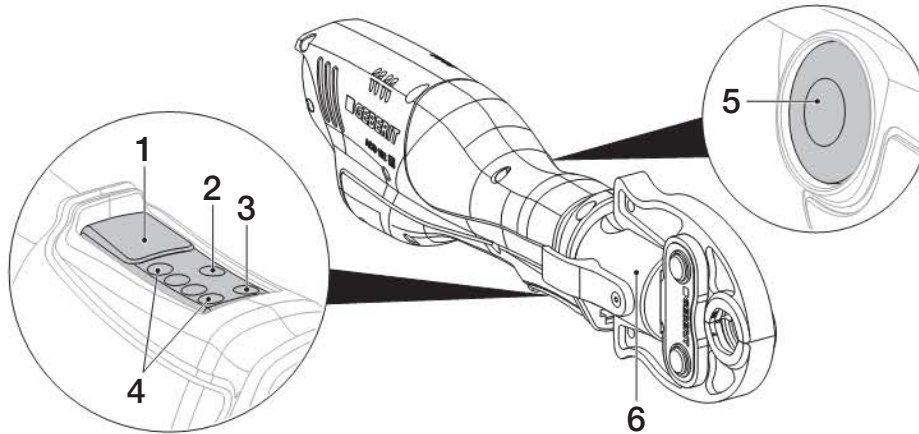
- pressing tool incl. operating instructions
- pressing jaws
- battery charger incl. user manual
- rechargeable battery 12 V DC
- safety notes
- transport case

The equipment may vary depending on the scope of delivery.



- 1 Pressing tool
- 2 Pressing jaw
- 3 Retaining pin
- 4 Roller drive
- 5 Rechargeable battery

## Function



- 1 Start button
- 2 Red LED
- 3 Green LED
- 4 Charge level indicator
- 5 Unlocking button
- 6 Swivelling pressing head

### Automatic pressing function

The Geberit pressing tool functions electrohydraulically. An automatic pressing function makes sure that the press connection is completely finished. The automatic pressing function does not switch on until approx. one second later. After the automatic pressing function has switched on, the green LED [3] goes out and the pressing sequence proceeds automatically. The pressing sequence can only be interrupted by pressing and holding the unlocking button [5]. When the pressing sequence is finished, the motor automatically switches off and the green LED [3] lights up again.

If the start button [1] is released before the automatic pressing function switches on, the piston in the pressing tool will move back to its starting position. The pressing sequence is not finished and must be restarted.

### Unlocking button [5]

The pressing sequence can be interrupted by pressing and holding the unlocking button [5]. The piston in the pressing tool moves back to its starting position. Pressing the start button [1] again restarts the pressing sequence.

### LED display [2] [3]

The two LEDs [2] [3] show the operating states of the pressing tool. The pressing tool is ready for operation when the green LED [3] is lit. The red LED [2] or the flashing green LED [3] indicate malfunctions.

### Charge level indicator [4]

The four green LEDs [4] show the charge level of the rechargeable battery. The number of lit LEDs indicates the charge level. The rechargeable battery is empty when the green LED [3] flashes.

### Swivelling pressing head [6]

The pressing tool has a swivelling pressing head that can swivel 180°. This can only be swivelled before pressing. To swivel the pressing head, hold the grip area of the pressing tool and swivel the front part of the pressing cylinder.

### Standby mode

If the Geberit pressing tool is not used for 30 minutes, it switches to standby mode. No LED is lit. To start the pressing tool, briefly press the start button [1].

## Technical data

Nominal voltage	12	V DC
Power consumption	240	W
Nominal force	19	kN
Protection degree	IP20	
Net weight	1.7	kg
Sound pressure level at user's ear <sup>1)</sup>	76	dB(A)
Vibration emission value <sup>2)</sup>	≤ 2.5	m/s <sup>2</sup>
Operating temperature	-20 – +60	°C
Battery capacity	1.5	Ah

<sup>1)</sup> Measurement inaccuracy of the sound pressure level: 3 dB(A)

<sup>2)</sup> Measurement inaccuracy of the vibration emission value: 1.5 m/s<sup>2</sup>

The stated vibration emission value has been measured according to a standardised test process and can be used for comparison with another device. The stated vibration emission value can also be used for an introductory estimation of the exposure.

**Please note:** the vibration emission value can differ from the stated value during the actual use of the device, depending on the way the device is used. Depending on the actual operating conditions (intermittent operation), it may be necessary to determine safety measures to protect the operator.

# Operation

---

## Inserting Geberit pressing jaws

### Prerequisites

Rechargeable battery is not inserted in the pressing tool.



#### WARNING

##### Danger of crushing by exposed parts

- ▶ Do not hold any parts of your body or other objects in between the pressing jaw
- ▶ Keep your fingers away from the roller range if there is no pressing jaw inserted



#### CAUTION

##### Damage to the device because the retaining pin is not pushed in completely

- ▶ Push the retaining pin in completely and lock it

- 1** Rotate the retaining pin by 180° to the front and pull it out (see cover page in the front, figure A).
- 2** Insert the pressing jaw in the pressing tool (see cover page in the front, figure B).
- 3** Push the retaining pin in until the stop position is reached and rotate it by 180° to the rear (see cover page in the front, figure C).

## Charging and inserting the Geberit rechargeable battery



#### CAUTION

##### Damage to the device due to incorrect rechargeable battery

- ▶ Make sure that the voltage of the rechargeable battery corresponds to the details on the specification plate of the pressing tool



Read the user manual for the battery charger for information on how the battery charger functions.

Remove the rechargeable battery from the pressing tool before transporting and storing it; otherwise the rechargeable battery will run flat.

- 1** Charge the rechargeable battery before commissioning.
- 2** Insert the rechargeable battery in the pressing tool from the rear (see cover page in the back, figure D).

### Result

Pressing tool is in sleep mode. No LED lights up.



## Pressing with Geberit pressing jaws

### Prerequisites

- Pipe ends are deburred and clean
- Pipe and pressfitting have been fitted together in accordance with the piping system installation manual



#### WARNING

**Risk of injury caused by flying fragments if used incorrectly or if worn or damaged pressing jaws are used**

- ▶ Only use the pressing jaws if they are in perfect working order (see the basic safety notes)
- ▶ Make sure that the diameter of the pressfitting matches the diameter of the pressing jaw
- ▶ Do not tilt the pressing jaw on the pressfitting
- ▶ Clean away any dirt, chips or the like between the pressing jaw and the pressfitting
- ▶ If the pressing jaws have been used incorrectly, or in a way that does not comply with their intended use, do not continue to use them and have them examined by an authorised repair shop
- ▶ Wear suitable protective equipment (protective goggles etc.)



Pressing jaws are wearing parts. Frequent pressing will cause the material to become worn; advanced stages of wear will be indicated by incipient cracks. Pressing jaws that display this kind of wear or are damaged in any other way may break, particularly if they are used incorrectly (e.g. pressing a fitting that is too large, tilting, foreign bodies on the fitting) or in a way that does not comply with their intended use.



#### WARNING

**Danger of crushing when the pressing tool closes automatically**

- ▶ Do not hold any parts of your body or other objects in between the pressing jaw
- ▶ Do not hold the pressing tool in the area of the pressing jaw



#### CAUTION

**Damage to the device caused by continuous operation**

- ▶ Allow the pressing tool to cool for at least 15 minutes after 30 minutes of continuous operation



The procedure for pressing depends on the type of pressing jaw and is described in detail in the user manual of the relevant system.

**1**

Make sure that the diameter of the pressfitting matches the diameter of the pressing jaw.

**2**

To start the pressing sequence, press and hold the start button for at least one second.

#### Result

The hydraulic valve switches off the pressing sequence after the pressing operation has been completed. The end of the pressing sequence is indicated by the motor switching off.

## Troubleshooting before the pressing sequence

Fault	Cause	Actions
The pressing tool cannot be started and no LED lights up	Rechargeable battery is defective	▶ Have the rechargeable battery examined by a repair shop and replace it if necessary
	Rechargeable battery is not inserted	▶ Insert the rechargeable battery
Green LED flashes	Rechargeable battery not charged up sufficiently	▶ Charge the rechargeable battery or replace it

## Troubleshooting during the pressing sequence

Fault	Cause	Actions
Pressing tool stops and no LED lights up	Rechargeable battery is defective	<ul style="list-style-type: none"> <li>▶ Release start button</li> <li>▶ Replace the rechargeable battery and have it examined by a skilled person</li> <li>▶ Press unlocking button: roller drive moves to its starting position</li> <li>▶ Repeat the pressing operation</li> </ul>
Red and green LEDs flash alternately	Maintenance interval has been reached	▶ Send the pressing tool to an authorised repair shop for testing <sup>1)</sup>

1) The addresses of authorised repair shops can be requested from the Geberit sales companies or found at [www.geberit.com](http://www.geberit.com)

## Troubleshooting after the pressing sequence

Fault	Cause	Actions
Red LED lights up	A device failure has occurred	<ul style="list-style-type: none"> <li>▶ Press the start button</li> <li>▶ If pressing the start button is not successful, the pressing tool is defective. Send the pressing tool to an authorised repair shop for testing<sup>1)</sup></li> <li>▶ Check pressing and repeat if necessary</li> </ul>
Red LED flashes	Incorrect or defective rechargeable battery inserted	▶ Replace rechargeable battery
	Operating temperature of the rechargeable battery has been exceeded or not attained	▶ Observe operating temperature of the rechargeable battery
Green LED flashes	Rechargeable battery not charged up sufficiently	▶ Charge the rechargeable battery or replace it

1) The addresses of authorised repair shops can be requested from the Geberit sales companies or found at [www.geberit.com](http://www.geberit.com)

# Maintenance

## Maintenance regulations



For safety reasons, it is absolutely essential to observe the following maintenance intervals and perform the maintenance work described. The same applies to the mandatory maintenance rules for the pressing attachments.

A service sticker on the pressing tool indicates the time of the next mandatory maintenance.

The pressing tool must always be taken for maintenance together with the pressing attachments in its transport case.

Maintenance work and repair work may only be carried out by Novopress or authorised Novopress repair shops.

For addresses of authorised repair shops, contact your Geberit sales company or visit [www.geberit.com](http://www.geberit.com).

Interval	Maintenance work
Regularly (before use, at the start of the working day)	<ul style="list-style-type: none"> <li>• Examine the pressing tool and rechargeable battery for externally visible defects and damage that could affect safety</li> <li>• Clean and lubricate the pressing tool</li> <li>• Clean pressing attachments and check for defects (particularly cracks in the material)</li> <li>• Lubricate pressing attachments; see user manual of the respective system</li> </ul>
Every six months	<ul style="list-style-type: none"> <li>• Have an authorised repair shop perform a metrological measurement in order to establish any safety-related defects or damage. However, this metrological measurement does not replace any country-specific regulations and legislation that might prescribe further checks and maintenance work</li> </ul>
After 40 000 pressing operations (interval is indicated by the red and green LEDs flashing) or after two years at the latest	<ul style="list-style-type: none"> <li>• Have an authorised repair shop examine the press capacity and the state of wear</li> </ul>

## Cleaning and lubricating the Geberit pressing tool

### Prerequisites

Rechargeable battery is not inserted in the pressing tool.



#### WARNING

##### Risk of injury from switching on inadvertently

- ▶ Remove the rechargeable battery before starting any maintenance work on the pressing tool



#### CAUTION

##### Damage to the device from dampness or moisture

- ▶ Never immerse the pressing tool in water or other liquids

- 1** Push in both release buttons on the rechargeable battery and pull out the battery (see cover page in the back, figure E).
- 2** Clean the roller drive and retaining pin of the pressing tool.
- 3** Use compressed air or a brush to remove dirt.
- 4** Use BRUNOX® Turbo-Spray® or equivalent to lubricate the roller drive, its guide and the retaining pin (see cover page in the back, figure F).
- 5** Wipe off any excess lubricant.

# Disposal

---

## Constituents

This product meets the requirements of Directive 2011/65/EU RoHS (restriction of the use of certain hazardous substances in electrical and electronic equipment).

## Disposal of waste electrical and electronic equipment



In accordance with Directive 2012/19/EU (WEEE-II), manufacturers of electrical equipment are obliged to take back old equipment and to dispose of it appropriately.

The symbol indicates that the product cannot be disposed of with non-recyclable waste. Old equipment should be returned directly to Geberit, where it will be disposed of appropriately.

Please contact your responsible Geberit sales company for addresses to which equipment can be returned.

## Conformity

---

### EC declaration of conformity in accordance with directives 2004/108/EC and 2006/42/EC

We hereby declare that the Geberit pressing tool ACO 102 meets the relevant basic health and safety requirements as a result of its design and construction type as well as the version that we have put on the market.

If the pressing tool is used improperly or modified without our permission, this declaration becomes invalid.

Applied standards:

- EN 55014-1
- EN 55014-2
- EN 60745-1
- EN ISO 14121-1
- EN ISO 12100-1
- EN ISO 12100-2



21.08.2013, Dr. F. Klaiber,  
Managing Director



21.08.2013, G. Taubert,  
Head of International Standardisation

### Address

Geberit International AG, Schachenstrasse 77, CH-8645 Jona, Switzerland

### Person in charge of documentation

Werner Trefzer, Produktkommunikation, Geberit International AG, CH-8645 Jona,  
Switzerland

**Geberit International AG**  
**Schachenstrasse 77**  
**CH-8645 Jona**

**T +41 55 221 63 00**  
**F +41 55 221 63 16**  
**documentation@geberit.com**

→ **www.geberit.com**